

Alfa Laval Temperature Transmitter

TE67Gxxxxxxxxxx

Safety instructions

This instrument is built and tested according to the current EU-directives and packed in technically safe condition. In order to maintain this condition and to ensure safe operation, the user must follow the hints and warnings given in this instruction.

During the installation the valid national rules have to be observed. Ignoring the warnings may lead to severe personal injury or substantial damage to property.

The product must be operated by trained staff. Correct and safe operation of this equipment is dependent on proper transport, storage, installation and operation.

All electrical wiring must conform to local standards. In order to prevent stray electrical radiation, we recommend twisted and shielded input cables, as also to keep power supply cables separated from the input cables. The connection must be made according to the connecting diagrams.

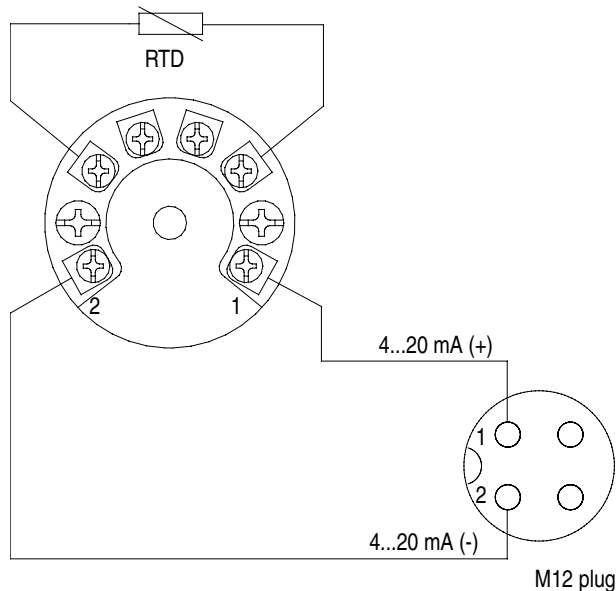
Before switching on the power supply take care that other equipment is not affected. Ensure that the supply voltage and the conditions in the environment comply with the specification of the device.

Before switching off the supply voltage check the possible effects on other equipment and the processing system.



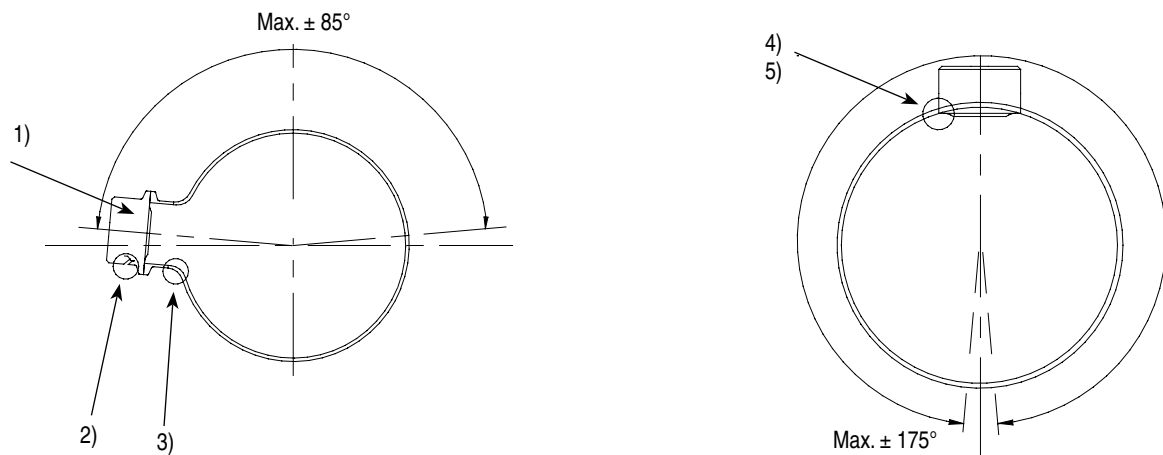
Electrical Installation

Alfa Laval Temperatur Transmitter with Alfa Laval Transmitter



Mounting example of a Alfa Laval Temperature Transmitter
Please refer to the relevant Alfa Laval Temperature Transmitter manual
(page 3 in this document).

Mounting of 3-A Marked Products



Installation of 3-A marked products:

- 1) Use only a 3-A marked counter part.
- 2) The inspection hole should be visible and drained.
- 3) Mount the instrument in a self drained position.
- 4) Level the inner surface of the pipe with the counter part.
- 5) Weldings should be grinded to $Ra = 0.4 / Ra = 0.8$

The 3-A mark is valid only when the product is mounted in a 3-A marked counter part and installed according to the installation manual. Use also a 3-A marked O-ring or gasket if relevant. The 3-A marked products conform to the 3-A Sanitary Standard criteria. Materials and surfaces fulfill the FDA demands and follow the EHEDG guidelines regarding design, materials and finishing.

EPDM gaskets supplied with 3-A marked products are conform to Sanitary Standard Class I (8% milk fat max.)

Alfa Laval Universal Transmitter

Safety instructions

This instrument is built and tested according to the current EU-directives and packed in technically safe condition. In order to maintain this condition and to ensure safe operation, the user must follow the hints and warnings given in this instruction.

During the installation the valid national rules have to be observed. Ignoring the warnings may lead to severe personal injury or substantial damage to property.

The product must be operated by trained staff. Correct and safe operation of this equipment is dependent on proper transport, storage, installation and operation.

All electrical wiring must conform to local standards. In order to prevent stray electrical radiation, we recommend twisted and shielded input cables, as also to keep power supply cables separated from the input cables. The connection must be made according to the connecting diagrams.

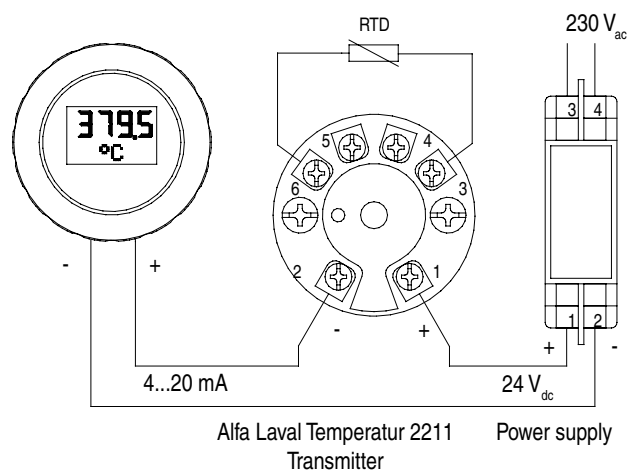
Before switching on the power supply take care that other equipment is not affected. Ensure that the supply voltage and the conditions in the environment comply with the specification of the device.

Before switching off the supply voltage check the possible effects on other equipment and the processing system.

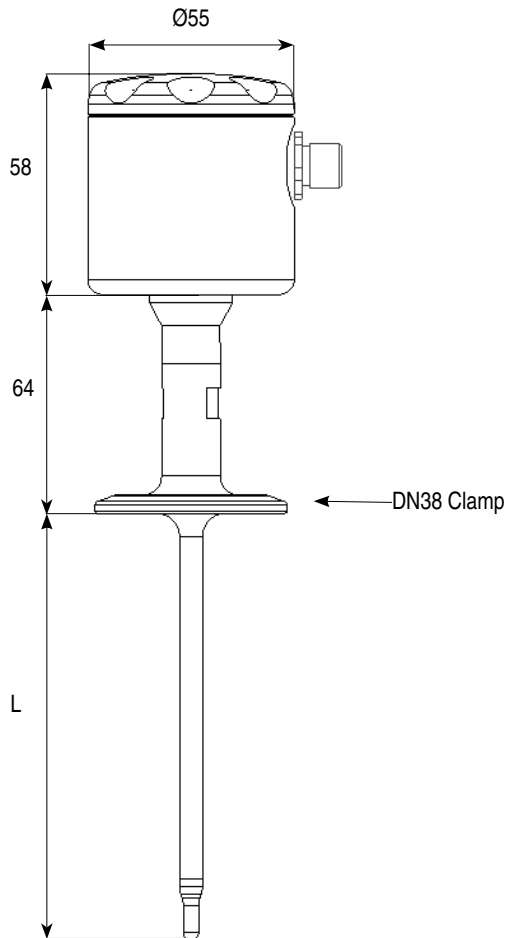
WARNING

For electrical installation and commissioning of explosion protected devices, the data given in the conformity certificate as also the local regulations for installation of electrical apparatus within explosion protected areas must be considered. The intrinsically safe versions can be mounted in the explosion hazarded area according to its specification only connected to a certified intrinsically safe supply loop with the corresponding electrical values.

Application



Dimensinal Drawing



Reservation and contact infomation

Note: The illustrations and specifications contained in this manual were effective at the date of printing. However, as continuous improvements are our policy, we reserve the right to alter or modify any unit specification on any product without prior notice or any obligation.

How to contact Alfa Laval Tank Equipment A/S

For further information please feel free to contact:

Alfa Laval Tank Equipment A/S
Baldershoej 19
P.O. Box 1149
2635 Ishoej
Denmark

Phone no.: +45 43 55 86 00
Fax no.: +45 43 55 86 01
www.alfalaval.com

Contact details for all countries are continually updated on our websites.

© 2010 Alfa Laval Corporate AB

This document and its contents is owned by Alfa Laval Corporate AB and protected by laws governing intellectual property and thereto related rights. It is the responsibility of the user of this document to comply with all applicable intellectual property laws. Without limiting any rights related to this document, no part of this document may be copied, reproduced or transmitted in any form or by any means (electronic, mechanical, photocopying, recording, or otherwise), or for any purpose, without the expressed permission of Alfa Laval Corporate AB. Alfa Laval Corporate AB will enforce its rights related to this document to the fullest extent of the law, including the seeking of criminal prosecution.

Item Number Overview

Temperature transmitter, clamp DN38 (ISO2852)/ClampDN40 (DIN32676) with M12 electrical connection, 4-20 mA output

Item no.	Description
TE67G111051630	Span: 0 to 150°C, sensor length: 50 mm, sensor tip ø6 mm
TE67G111101630	Span: 0 to 150°C, sensor length: 100 mm, sensor tip ø6 mm
TE67G111151630	Span: 0 to 150°C, sensor length: 150 mm, sensor tip ø6 mm
TE67G111201630	Span: 0 to 150°C, sensor length: 200mm, sensor tip ø6 mm
TE67G111251630	Span: 0 to 150°C, sensor length: 250mm, sensor tip ø6 mm
TE67G111301630	Span: 0 to 150°C, sensor length: 300 mm, sensor tip ø6 mm

Temperature transmitter, clamp DN38 (ISO2852)/Clamp DN40 (DIN32676) with M12 electrical connection, 4-20 mA output

Item no.	Description
TE67G411051630	Span: -20 to 150°C, sensor length: 50 mm, sensor tip ø6 mm
TE67G411101630	Span: -20 to 150°C, sensor length: 100 mm, sensor tip ø6 mm
TE67G411151630	Span: -20 to 150°C, sensor length: 150 mm, sensor tip ø6 mm
TE67G411201630	Span: -20 to 150°C, sensor length: 200 mm, sensor tip ø6 mm
TE67G111251630	Span: -20 to 150°C, sensor length: 250 mm, sensor tip ø6 mm
TE67G411301630	Span: -20 to 150°C, sensor length: 300 mm, sensor tip ø6 mm

Temperature transmitter, clamp DN38 (ISO2852)/Clamp DN40 (DIN32676) with M12 electrical connection, 4-20 mA output

Item no.	Description
TE67GA11051630	Span: -10 to 100°C, sensor length: 50 mm, sensor tip ø6 mm
TE67GA11101630	Span: -10 to 100°C, sensor length: 100 mm, sensor tip ø6 mm
TE67GA11151630	Span: -10 to 100°C, sensor length: 150 mm, sensor tip ø6 mm
TE67GA11201630	Span: -10 to 100°C, sensor length: 200 mm, sensor tip ø6 mm
TE67GA11251630	Span: -10 to 100°C, sensor length: 250 mm, sensor tip ø6 mm
TE67GA11301630	Span: -10 to 100°C, sensor length: 300 mm, sensor tip ø6 mm

Temperature transmitter, clamp DN38 (ISO2852)/Clamp DN40 (DIN32676) with M12 electrical connection, 4-20 mA output

Item no.	Description
TE67G211051630	Span: 0 to 150°C, sensor length: 50 mm, sensor tip ø4 mm
TE67G211101630	Span: 0 to 150°C, sensor length: 100 mm, sensor tip ø4 mm
TE67G211151630	Span: 0 to 150°C, sensor length: 150 mm, sensor tip ø4 mm
TE67G211201630	Span: 0 to 150°C, sensor length: 200 mm, sensor tip ø4 mm
TE67G211251630	Span: 0 to 150°C, sensor length: 250 mm, sensor tip ø4 mm
TE67G211301630	Span: 0 to 150°C, sensor length: 300 mm, sensor tip ø4 mm

Temperature transmitter, clamp DN38 (ISO2852)/Clamp DN40 (DIN32676) with M12 electrical connection, 4-20 mA output

Item no.	Description
TE67G511051630	Span: -20 to 150°C, sensor length: 50 mm, sensor tip ø4 mm
TE67G511101630	Span: -20 to 150°C, sensor length: 100 mm, sensor tip ø4 mm
TE67G511151630	Span: -20 to 150°C, sensor length: 150 mm, sensor tip ø4 mm
TE67G511201630	Span: -20 to 150°C, sensor length: 200 mm, sensor tip ø4 mm
TE67G511201630	Span: -20 to 150°C, sensor length: 250 mm, sensor tip ø4 mm
TE67G511301630	Span: -20 to 150°C, sensor length: 300 mm, sensor tip ø4 mm

Temperature transmitter, clamp DN38 (ISO2852)/Clamp DN40 (DIN32676) with M12 electrical connection, 4-20 mA output

Item no.	Description
TE67GB11051630	Span: -10 to 100°C, sensor length: 50 mm, sensor tip ø4 mm
TE67GB11101630	Span: -10 to 100°C, sensor length: 100 mm, sensor tip ø4 mm
TE67GB11151630	Span: -10 to 100°C, sensor length: 150 mm, sensor tip ø4 mm
TE67GB11201630	Span: -10 to 100°C, sensor length: 200 mm, sensor tip ø4 mm
TE67GB11251630	Span: -10 to 100°C, sensor length: 250 mm, sensor tip ø4 mm
TE67GB11301630	Span: -10 to 100°C, sensor length: 300 mm, sensor tip ø4 mm

Temperature transmitter, clamp DN38 (ISO2852)/Clamp DN40 (DIN32676) with M12 electrical connection, 4-20 mA output

Item no.	Description
TE67G311051630	Span: 0 to 150°C, sensor length: 50 mm, sensor tip ø3 mm
TE67G311101630	Span: 0 to 150°C, sensor length: 100 mm, sensor tip ø3 mm
TE67G311151630	Span: 0 to 150°C, sensor length: 150 mm, sensor tip ø3 mm
TE67G311201630	Span: 0 to 150°C, sensor length: 200 mm, sensor tip ø3 mm
TE67G311251630	Span: 0 to 150°C, sensor length: 250 mm, sensor tip ø3 mm
TE67G311301630	Span: 0 to 150°C, sensor length: 300 mm, sensor tip ø3 mm

Temperature transmitter, clamp DN38 (ISO2852)/Clamp DN40 (DIN32676) with M12 electrical connection, 4-20 mA output

Item no.	Description
TE67G611051630	Span: -20 to 150°C, sensor length: 50 mm, sensor tip ø3 mm
TE67G611101630	Span: -20 to 150°C, sensor length: 100 mm, sensor tip ø3 mm
TE67G611151630	Span: -20 to 150°C, sensor length: 150 mm, sensor tip ø3 mm
TE67G611201630	Span: -20 to 150°C, sensor length: 200 mm, sensor tip ø3 mm
TE67G611251630	Span: -20 to 150°C, sensor length: 250 mm, sensor tip ø3 mm
TE67G611301630	Span: -20 to 150°C, sensor length: 300 mm, sensor tip ø3 mm

Temperature transmitter, clamp DN38 (ISO2852)/Clamp DN40 (DIN32676) with M12 electrical connection, 4-20 mA output

Item no.	Description
TE67GC11051630	Span: -10 to 100°C, sensor length: 50 mm, sensor tip \varnothing 3 mm
TE67GC11101630	Span: -10 to 100°C, sensor length: 100 mm, sensor tip \varnothing 3 mm
TE67GC11151630	Span: -10 to 100°C, sensor length: 150 mm, sensor tip \varnothing 3 mm
TE67GC11201630	Span: -10 to 100°C, sensor length: 200 mm, sensor tip \varnothing 3 mm
TE67GC11251630	Span: -10 to 100°C, sensor length: 250 mm, sensor tip \varnothing 3 mm
TE67GC11301630	Span: -10 to 100°C, sensor length: 300 mm, sensor tip \varnothing 3 mm

Available add-ons

TE67Gxxxxxxx1 with Calibration Certificate
TE67Gxxxxxxx2 with 3.1 Certificate
TE67Gxxxxxxx4 with 3-A Documentation

58 50-026 B1 / UK This data sheet may only be reproduced in full.